

WHEELED LOADER WITH TELESCOPIC BOOM

PT 182 - PT 192

Paload
PALAZZANI

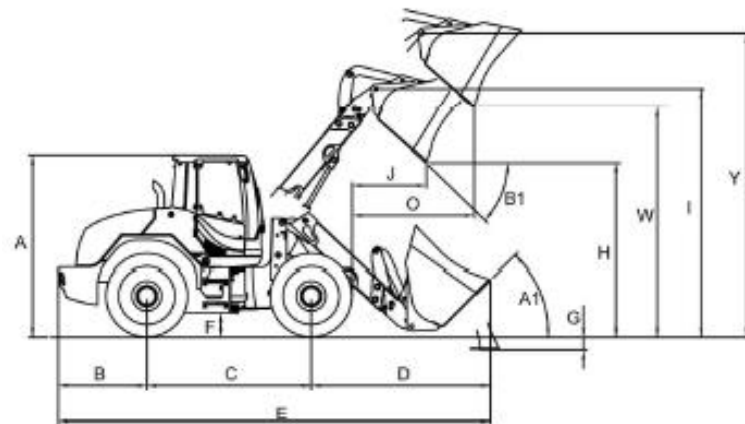


Teleloader: the new concept in high dump loading from Italy

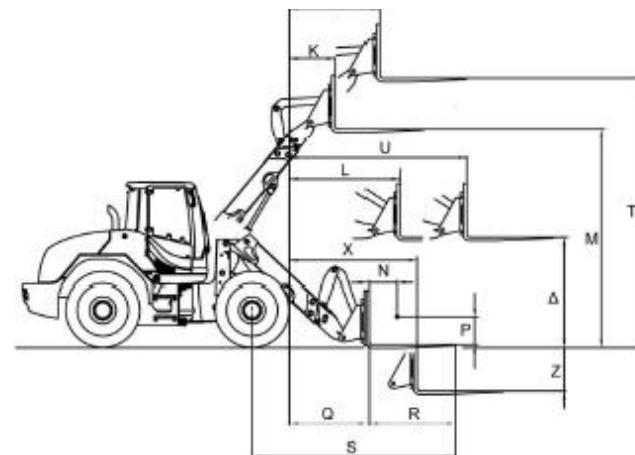
F/R shuttle, change on the fly plus gear selection on the joystick. ROPs and FOPs pressurised A/C cabin, 4 speed Rexroth hydrostatic transmission, Spicer wet axle drive train. 40kph road speed
9 tonne /1.5m bucket , tipping clearance (45 degree) is 4250 mm, buckets to 3.5m available
Options: quick hitches, pallet forks, bucket clamps, four in one buckets, crane booms

Palazzani
INDUSTRIE

www.palazzani.it - paload@palazzani.it



PT 192 17,5 X 25 tyres	
A	2890 mm
B	1320 mm
C	2750 mm
F	400 mm
e	2830 mm
β	5165 mm
I	4017 mm
Y	4936 mm
K	816 mm
L	1961 mm
M	3807 mm
N	500 mm
P	500 mm
Q	1401 mm
R	1200 mm
S	3275 mm
T	4727 mm
U	3161 mm
V	1587 mm
Z	886 mm
X	2278 mm



Date according to bucket type PT 192 with 17,5 X 25 tyres	STD.	ENLARGED	EXTRA ENLARGED	4 : 1	
Capacity heaped	m ³	1,60	1,8	2,2	1,50
Material density	kg/m ³	1800	1500	1200	1800
Tipping load with aligned machine (ISO 14397) retracted boom	kg	5560	5460	5347	5550
Tipping load in max articulated position (40°) (ISO 14397) retracted	kg	5075	4983	4880	5065
Tipping load with aligned machine (ISO 14397) extended boom	kg	3252	3184	3100	3142
Tipping load in max articulated position (40°) (ISO 14397) extended	kg	2968	2906	2830	2952
Lifting capacity at max height retracted boom	kN	42,95	41,95	39,42	42,75
Lifting capacity at max height extended boom	kN	27,92	26,92	25,42	27,76
Breakout force	kN	86,63	82,29	74,80	86,63
E Total length	mm	6707	6737	6820	6707
Bucket width	mm	2400	2450	2450	2400
Rotation diameter	mm	11640	11690	11840	11640
G Digging depth	mm	142	142	142	142
H Dump height 45° retracted	mm	3136	3103	3004	3155
W Dump height 45° extended	mm	4000	3967	3868	4020
J Reach at max height retracted	mm	964	1001	1114	942
O Reach at max height extended	mm	1874	1912	2024	1854
Operating weight	kg	9300	9400	9600	9350

